

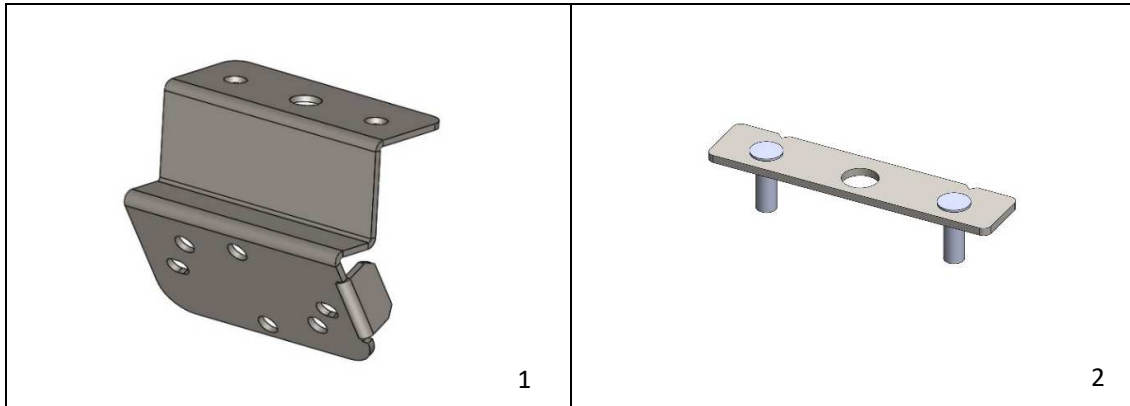
PRODUCT- JBA FLUSH BACKBONE MOUNT ROK9 BRACKET

PART NUMBER- JB-LB106/107/108

ESTIMATED FIT TIME- 30 MINS

IMPORTANT NOTES

- READ INSTRUCTIONS CAREFULLY PRIOR TO FITMENT
- IT IS RECOMMENDED TO REMOVE THE RACK FROM THE VEHICLE TO MAKE INSTALLATION EASIER



KIT CONTENTS

ITEM	DESCRIPTION	PART NO.	QTY
1	FLUSH MOUNT BACKBONE ROK9 BRACKET	10-LB106/107A	1
2	ROK9 STUD PLATE	10-LB106B	1
3	M5 FLANGE NYLON INSERT LOCK NUT GR 304S/S	XF53 5304	4
4	M5 X 16MM PAN HD PHIL M/T GR 304 S/S	X37 0516PP304	2



STEP 1- SELECT MOUNTING POSITION (NORMALLY EVEN DISTANCE FROM EACH END) INSERT STUD PLATE INTO CHANNEL AS SHOWN. INSERT THE SIDE OF THE STUD PLATE WITH 2 X NOTCHES INTO CHANNEL FIRST FOR EASIER FITMENT.



STEP 2- INSTALL M5 WASHER AND M5 NYLOC NUT ON TO EACH STUD AND TIGHTEN WHEN HAPPY WITH THE POSITION.



STEP 3- INSTALL THE ROK9 LIGHT ON TO THE BRACKET USING M5 X 16 SCREWS WITH M5 WASHER AND NUT ON THE BACK.



STEP 4- FEED THE WIRING THROUGH THE CENTRE HOLE AND INTO THE RHINO CHANNEL FOR WIRING.