

PRODUCT- TJM SINGLE COMPRESSOR MOUNTING BRACKET

VEHICLE- FORD TRA NEXT GEN RANGER 2022+ UNDER SEAT POSITION

PART NUMBER- JBA-CB253

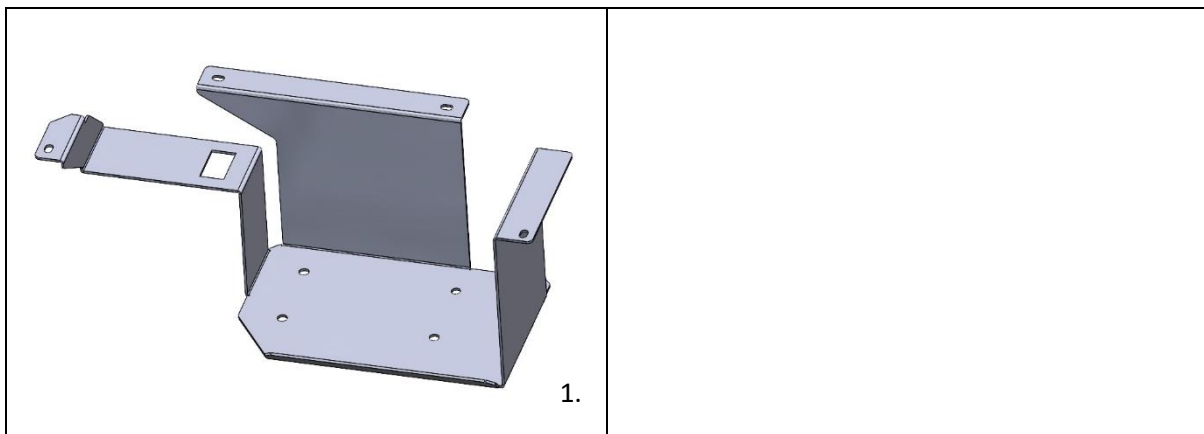
ESTIMATED FIT TIME

- PREPERATION AND MOUNTING OF COMPRESSOR AND BRACKET 60 MINS
- ELECTRICAL WIRING AND PLUMBING OF AIR OUTLETS 90-120MINS

IMPORTANT NOTES

- READ INSTRUCTIONS CAREFULLY PRIOR TO FITMENT
- ENSURE 567 THREAD SEALANT IS APPLIED TO ALL AIR THREADS INSTALLED
- REFER TO TJM COMPRESSOR INSTALLATION INSTRUCTIONS FOR WIRING SPECIFICATIONS
- NITTO FITTING SHOWN ARE NOT SUPPLIED BY JBA AND AVAILABLE THROUGH TJM STORES (PART NUMBER 013COMPPF01)

KIT CONTENTS



ITEM	DESCRIPTION	PART NO.	QTY
1	JBA TRA NEXT GEN RANGER COMPRESSOR BRACKET	10-CB253A	1
2	M6 HEX SERR FLANGE NUT ZY	N24 06ZY	4
3	M6 x 20MM SEMS ASSEMBLY ZY	B48 0620ZY	4
4	M8 X 16MM BUTTON HD SOCKET SCR GR 304 S/S	X72 08016304	4
5	5/16 X 3/4 X 18G FLAT WASHER GR 304 S/S	X79 082018G304	8
6	M8 NYLON INSERT LOCK NUT GR 304S/S	X53 8304	4

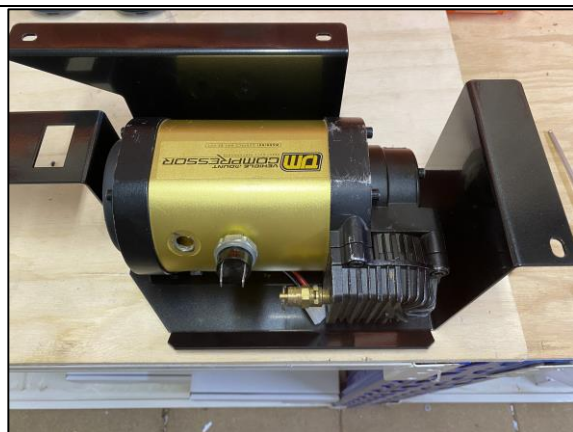
1. PREPERATION AND INSTALLATION



STEP 1.1 FLIP UP REAR SEAT AND REMOVE PLASTIC TRIM CLIPS AS SHOWN.



STEP 1.2 ROTATE COMPRESSOR 90 DEGREES IN THE ORIENTATION SHOWN (POWER WIRE SHOULD BE ON THE BOTTOM OF THE COMPRESSOR).



STEP 1.3 MOUNT THE COMPRESSOR TO THE BRACKET USING M8 X 16 PAN HEADS WITH WASHER UNDER THE HEAD FROM UNDERNEATH THE BRACKET. FASTEN ON THE COMPRESSOR SIDE USING M8 NYLOC AND WASHER. FIT THE TJM PRESSURE GAUGE AS SHOWN AND TJM NITTO FITTING (OPTIONAL NOT SUPPLIED).



STEP 1.4 MOUNT THE BRACKET IN THE VEHICLE USING M6 X 20 SEMS ASSEMBLY X 4 AND FASTEN FROM UNDERNEATH USING M6 WHIZZ NUTS. FEED THE WHIZZ NUTS IN FROM UNDERNEATH AND LINE UP WITH THE HOLE FIRST THEN SCREW M6 X 20 BY HAND FINDER TIGHT TO ALIGN 4 X SCREWS THEN FULLY TIGHTEN.